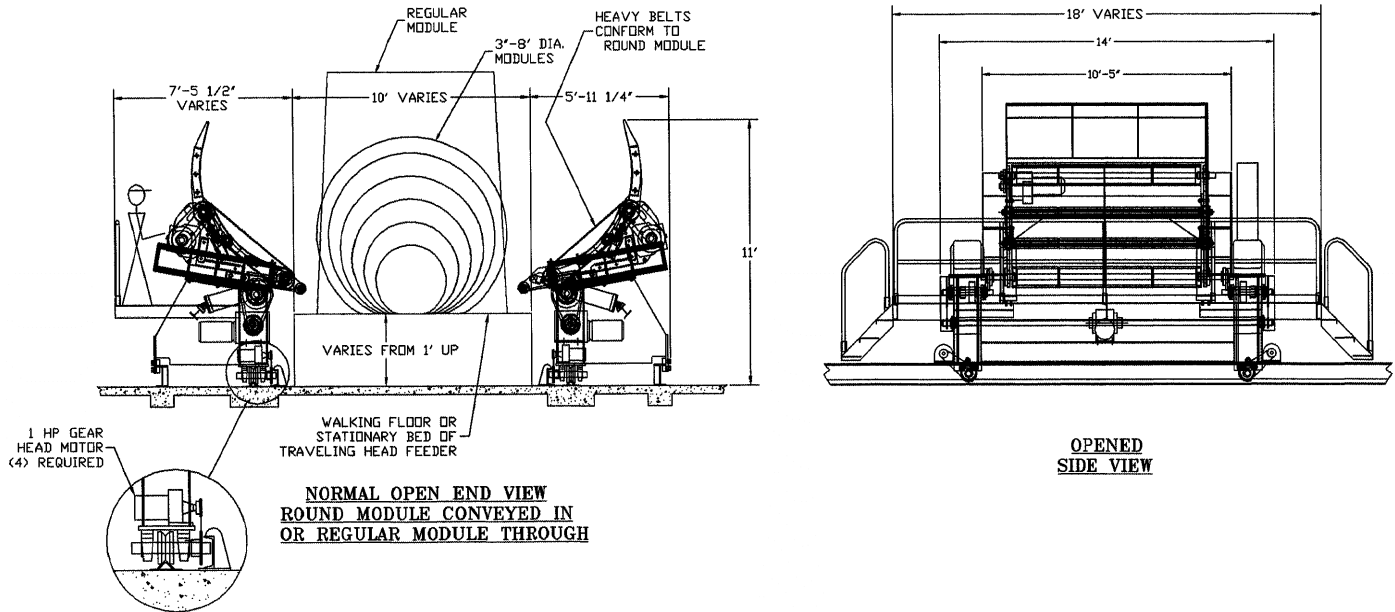




TRACK MOUNTED ROUND MODULE OPENER

U.S. PATENT APPROVED 9/21/11
14 CLAIMS AWARDED

MODEL RMO-20TM



ADVANTAGES:

- Track mounted on either side of feeder bed
- Single Operator
- Compact design fits in less space
- No hydraulics
- Requires no special foundation
- Heavy duty belts conform to round modules thus keeping cotton dense yielding consistent feed rates
- Belts tilt up in feed position to form side walls preventing spillage
- Heavy duty frame
- Blowout system prevents cotton build-up underneath belts
- Priced well below competitors
- Simple to install & operate

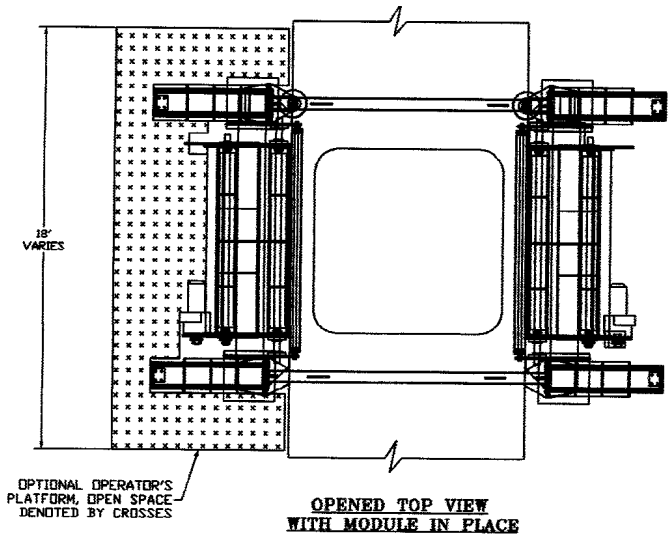
SPECIFICATIONS:

- Driven by (4) 5 HP, (4) 1 HP Gear Head Motors & (4) 8" DIA air cylinders @ 75 PSI
- Optional RFID tag reader locates inner tail virtually eliminating the possibility of plastic contamination
- 80-100 BPH capacity
- Belt Safety factor = 10 to 1
- Gin Friendly with Standard Components made in the USA

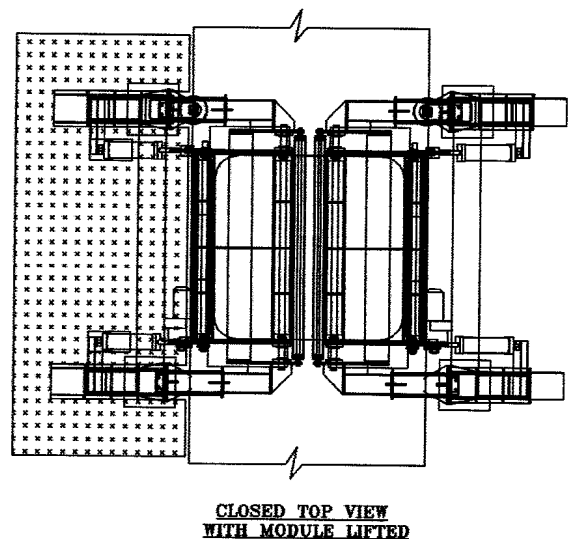
COTTON MACHINE WORKS, LLC

Tel: (229) 273-1374 Cell: (229) 938-4670 E-Mail: c990@bellsouth.net

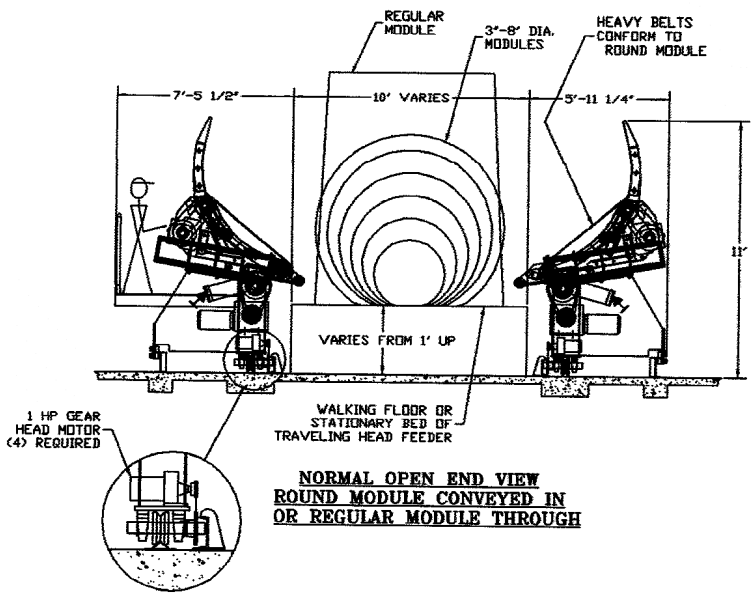
www.cottonmachineworks.com



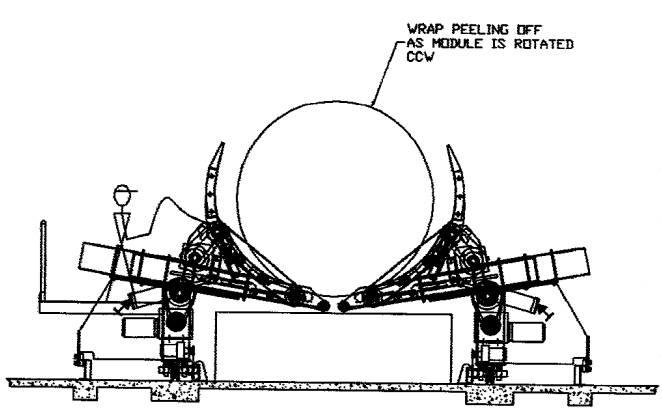
**OPENED TOP VIEW
WITH MODULE IN PLACE**



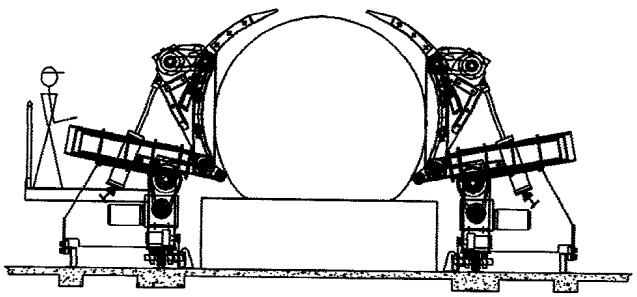
**CLOSED TOP VIEW
WITH MODULE LIFTED**



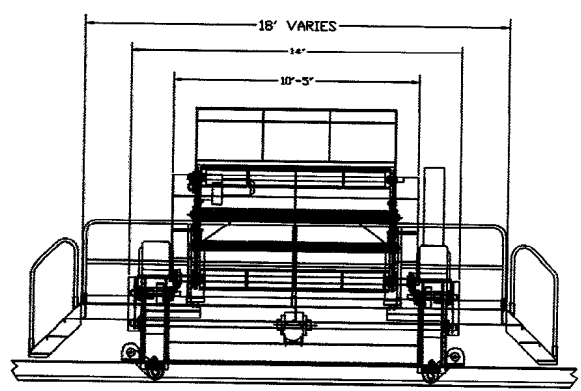
**NORMAL OPEN END VIEW
ROUND MODULE CONVEYED IN
OR REGULAR MODULE THROUGH**



**CLOSED END VIEW WITH MODULE LIFTED
ROTATE CCW & SCAN FOR INNER TAIL. STOP.
MANUALLY SLIT COVER THRU SLOT IN BACK
STOP, & ROTATE CW TO REMOVE**



**EXIT END VIEW
OPEN WITH BELTS @90°
TO CONVEY MODULE OUT**



**OPENED
SIDE VIEW**

COTTON MACHINE WORKS, LLC

Tel: (229) 273-1374 Cell: (229) 938-4670 E-Mail: c990@bellsouth.net

www.cottonmachineworks.com