



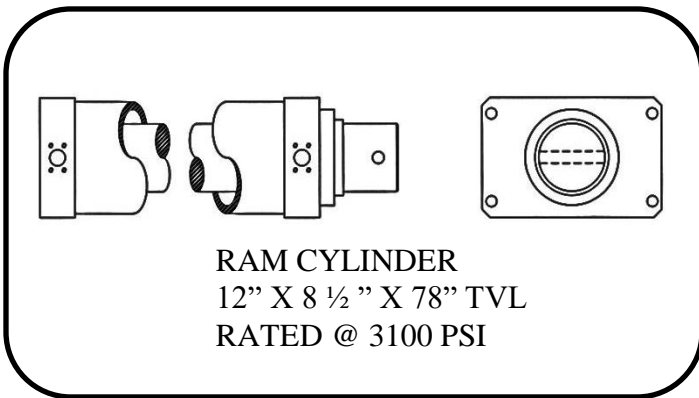
"Labor Savings Devices"

Model BPRRC & BPRTC

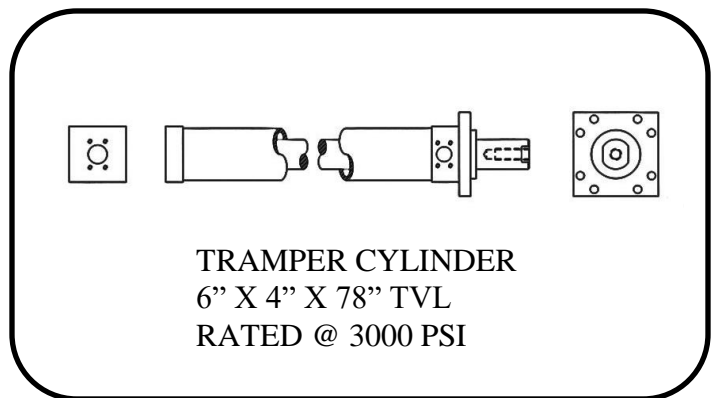
REPLACEMENT RAM & TRAMPER CYLINDER (MILL TYPE)

To Fit the Continental BesPress

MODEL BPRRC (RAM)



BRPTC (TRAMPER)



FEATURES:

- *Heavy Duty*
- *Exact dimensional equivalent to Continental @ approximately 60% of cost*
- *Mill Type Construction – no Tie Rods, welded construction*
- *High side load piston with wear bands*
- *High side load front rod bushing*
- *Chrome plated rod*
- *Removable body tube design which permits oversize honing and boring*
- *4 to 1 safety factor*
- *Made in USA*
- *Covered by full one year warranty*



DEPENDABLE MACHINE DESIGNS

(229)-273-1374 FAX (229) 273-4343

E-MAIL: c990@bellsouth.net

www.ctcdesigninc.com

REV: 009162019