

# ARMA

I N C



## MODEL FP-400 FIBER BALING PRESS

DESIGNED AROUND ONE SIMPLE PHILOSOPHY  
**FEWER PARTS = FEWER PROBLEMS**

# MODEL FP-400 PRESS with



FRONT VIEW

- FULL LENGTH BOTTOM SILL PROVIDES FOR 6 POINT ANCHOR AND LEVELING SYSTEM REQUIRED FOR PROPER INSTALLATION.
- 4" DIA. CROSS PIN BETWEEN FOLLOWBLOCK AND RAM SIMPLIFY CONNECTION WHILE PROVIDING FOR SAFER ASSEMBLY.
- ONE 75 H.P. ELECTRIC MOTOR POWERS THE PRESS.
- HYDRAULIC CONTROL OF TURNABLE PRODUCES SMOOTH OPERATION AND ELIMINATES GEAR BOXES, FLUID COUPLINGS, REVERSING MOTORS AND STARTERS.
- PUSH BUTTON CONSOLE WITH SOLID STATE CONTROLLER AND MESSAGE DISPLAY FOR WARNINGS, MAINTENANCE DIAGNOSTICS, BALE WEIGHT SETTING, START-UP PROMPTS, AND MACHINE STATUS.
- PRESS CAN BE ASSEMBLED IN LEFT OR RIGHT HAND CONFIGURATIONS.
- WORLD WIDE DISTRIBUTION ON MOST REPAIR PARTS.

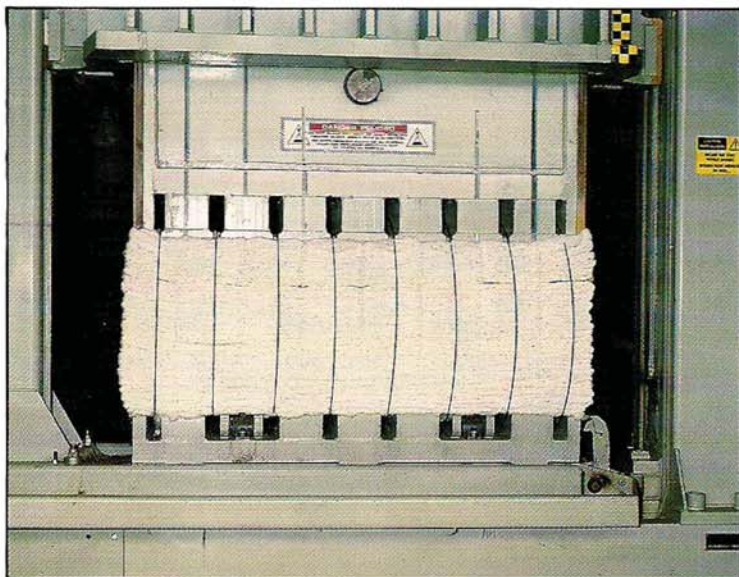
## FEATURES

- HYDRAULIC TRAMPER ELIMINATES MAINTENANCE REQUIRED ON MECHANICALLY DRIVEN TRAMPERS.
- CHROME PLATED GUIDE RODS ON TRAMPER INCREASE LINEAR BEARING LIFE BY 26 TIMES OVER COLD DRAWN FINISHES USED BY OTHER MANUFACTURERS.
- KEYED GUIDANCE DESIGN BETWEEN LIFT BOXES, CENTER COLUMN AND RAM END COLUMN PREVENT BALE AND FOLLOWBLOCK ROLL-OUT THEREFORE SAFER THAN MOST DESIGNS.
- NON-LIFTING TURNABLE SIMPLIFIES PRESS AND ELIMINATES COSTLY REPAIR PARTS.
- RIDGIDLY CONSTRUCTED STEEL MILL TYPE HYDRAULIC CYLINDERS WITH CHROME PLATED RODS PREVENT CORROSION. THIS COMBINATION ASSURES LONG DEPENDABLE SERVICE.
- PRESTRESSED TIE ROD CONSTRUCTION AND ACCURATELY MACHINED WELDMENTS PRODUCE A TIGHTLY ASSEMBLED PRESS, ELIMINATING BRACES TO OTHER STRUCTURES NOT INTENDED FOR ADVERSE LOADS FROM PRESS.



REAR VIEW

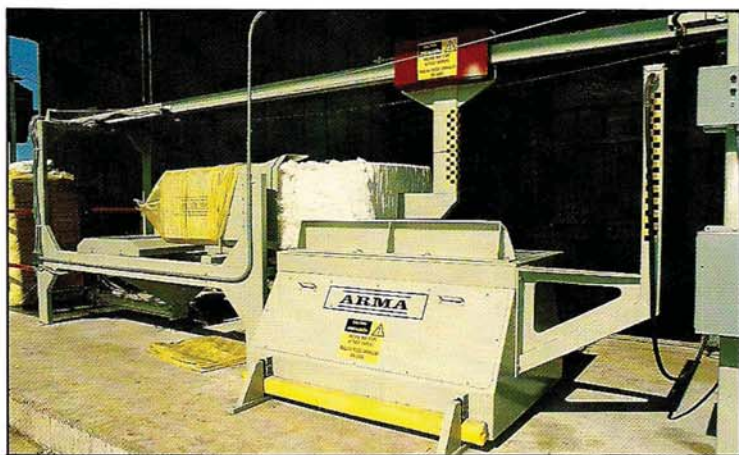
# BH-2128 Bale Handling System



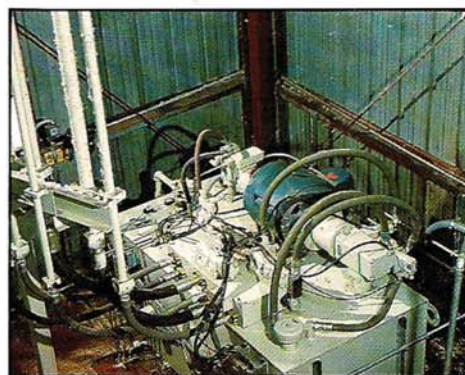
UNIVERSAL DENSITY BALE



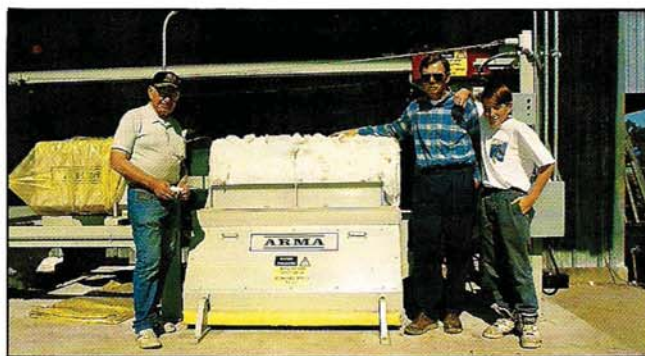
PUSH BUTTON CONSOLE WITH MESSAGE DISPLAY



MODEL BH-2128  
BALE HANDLING SYSTEM



440 GALLON  
HYDRAULIC POWER UNIT

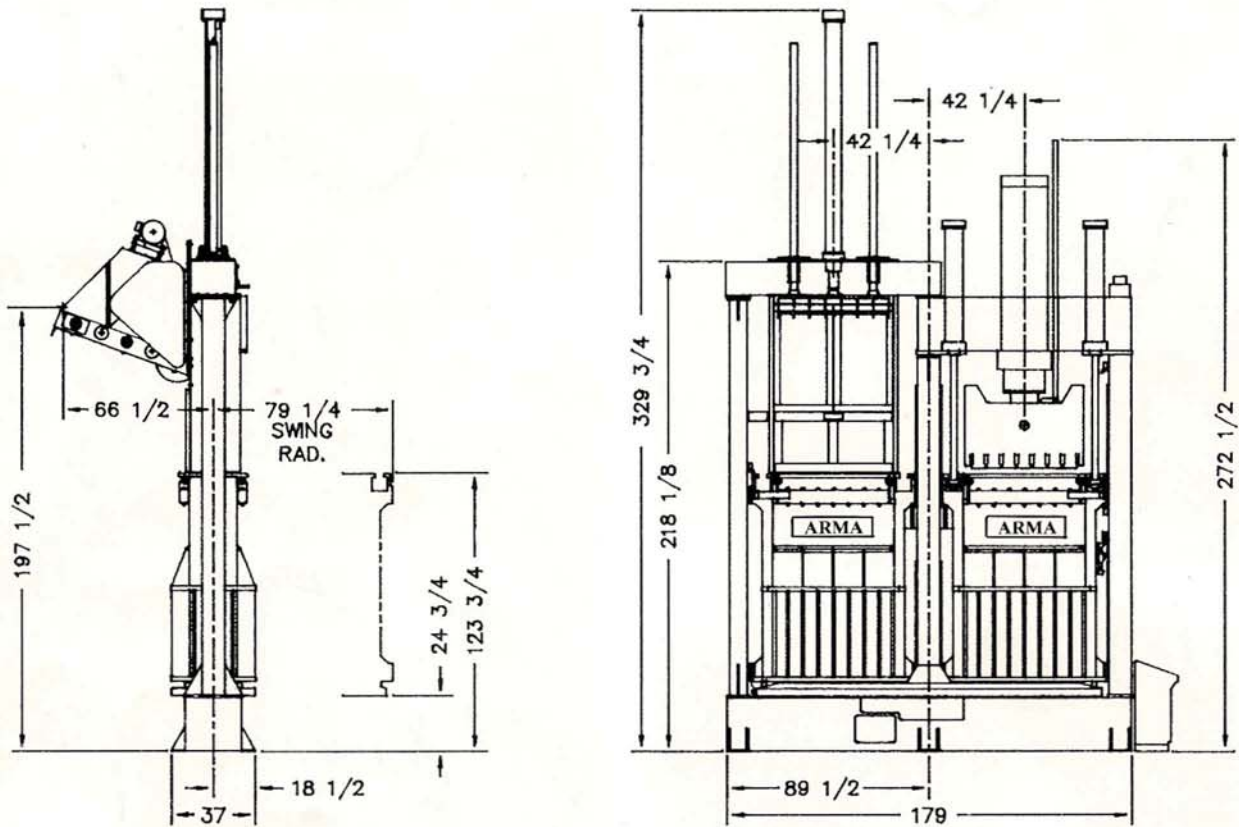


*"We purchased the ARMA FP-400 Press after looking at other presses because it was the best design we had seen."*

Earl, Stanford and John Vann  
Vann Gin Co. - Murfreesboro, NC

# DIMENSIONS

(INCHES)



## SPECIFICATIONS

APPLICATION	DENSIFIED COTTON, LINEN, WOOL, FLAX, AND SYNTHETIC FIBERS INTO UNIVERSAL SIZE BALES.
BALE SIZE:	21" x 28" x 55"
BALE WEIGHT:	500-600 LBS. NATURAL FIBERS 500-650 LBS. SYNTHETIC FIBERS
CAPACITY:	25 BALE/HOUR AVERAGE
MACHINE WEIGHT:	70,000 LBS. (DRY WITHOUT CRATES)

**ARMA**  
I N C

P.O. BOX 5056 • CORDELE, GEORGIA 31015-5056  
TELEPHONE (912) 273-0592  
TELEX 544045-ARMA INC • FAX (912) 273-5124